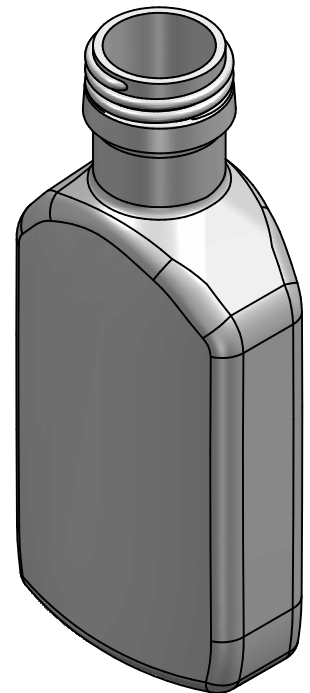
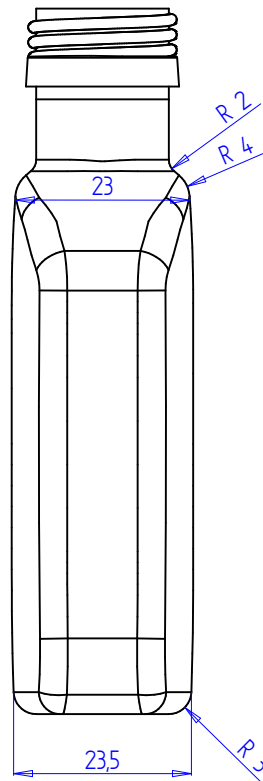
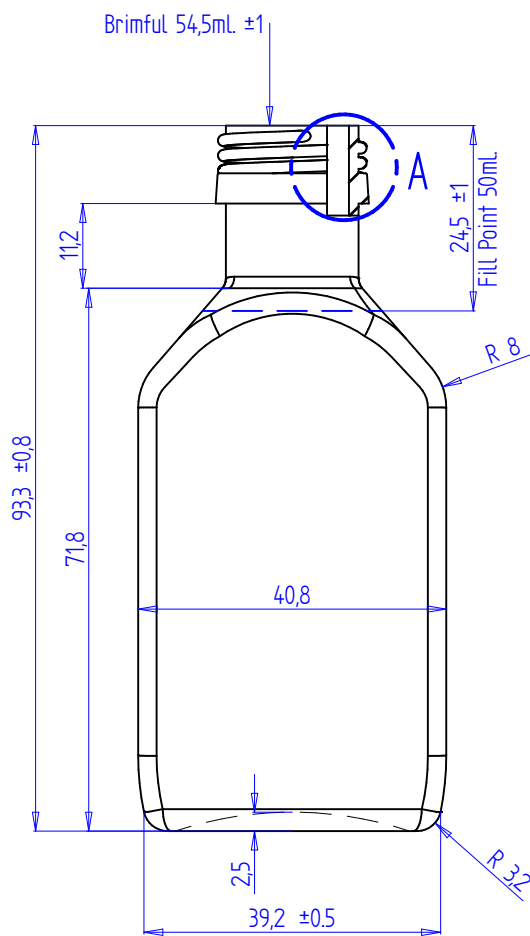

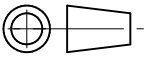


PILFERPROOF 20 STD  
DETALLE A  
3:1



Name		Date					
Designed	SERGIO GIRONES	10/06/2019				Title:	<b>BOTELLA PETACA 50ml.</b>
Nº Review	V1	26/07/2019					
Approved	JOSE A. GONZALEZ	10/06/2019				Ref. Plane:	<b>1900670</b>
Scale:		A 4					
<b>1:1</b>		Sheet 1 of 1					
Material :		PET					
General tolerance: ± 0,2mm		10.5 gr. ± 0.5					