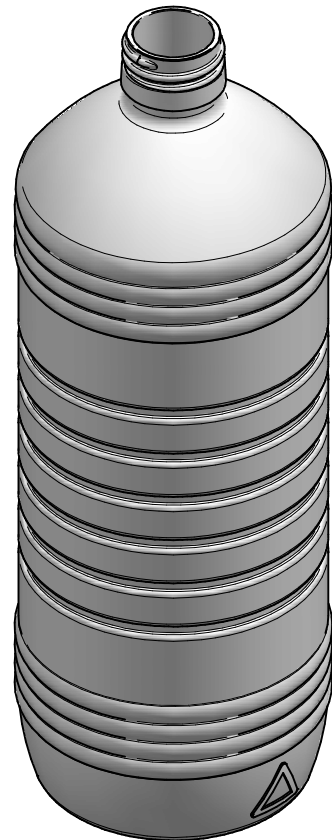
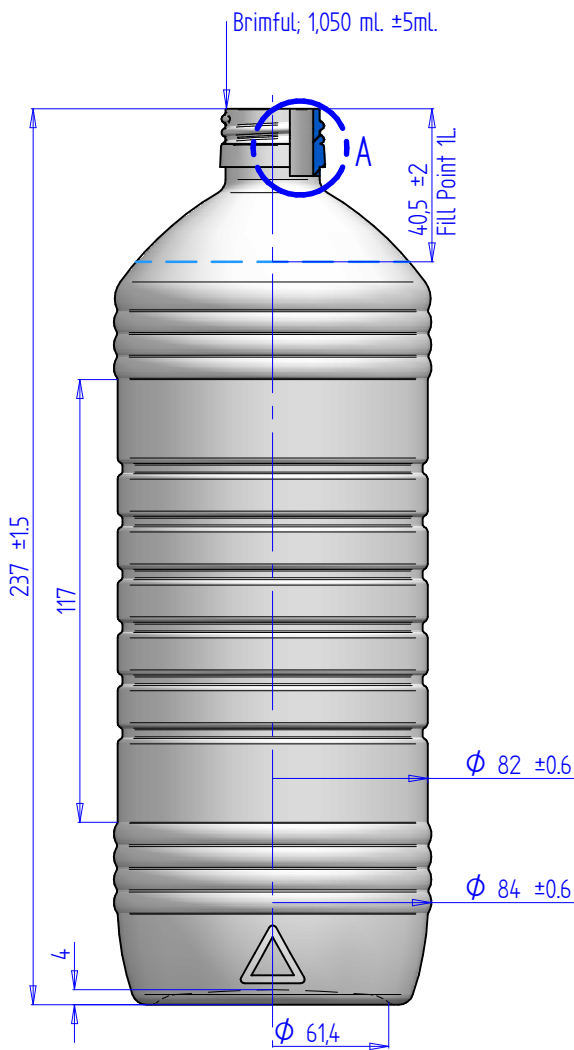

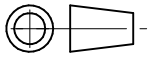


(STANDAR PF28)
DETALLE A
2:1



	Name	Date		
Designed	ELENA ALBERO	28/06/2016		
Nº Review			Title: Bottle 1L. Parafina	
Approved	SONIA BERNABEU	28/06/2016		
Scale:		A 4	Ref. Plane: 1600425	
1:2		Sheet 1 de 1		
	Material :	PET		
General Tolerance $\pm 0,2\text{mm}$		Weight: 28.5 gr.±1		