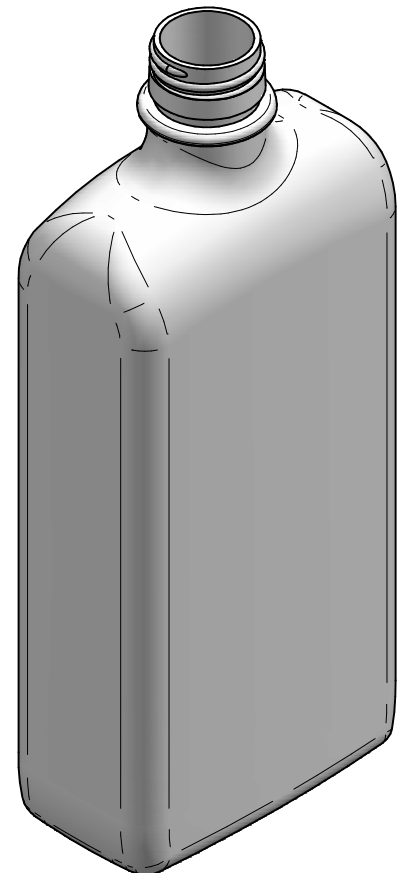
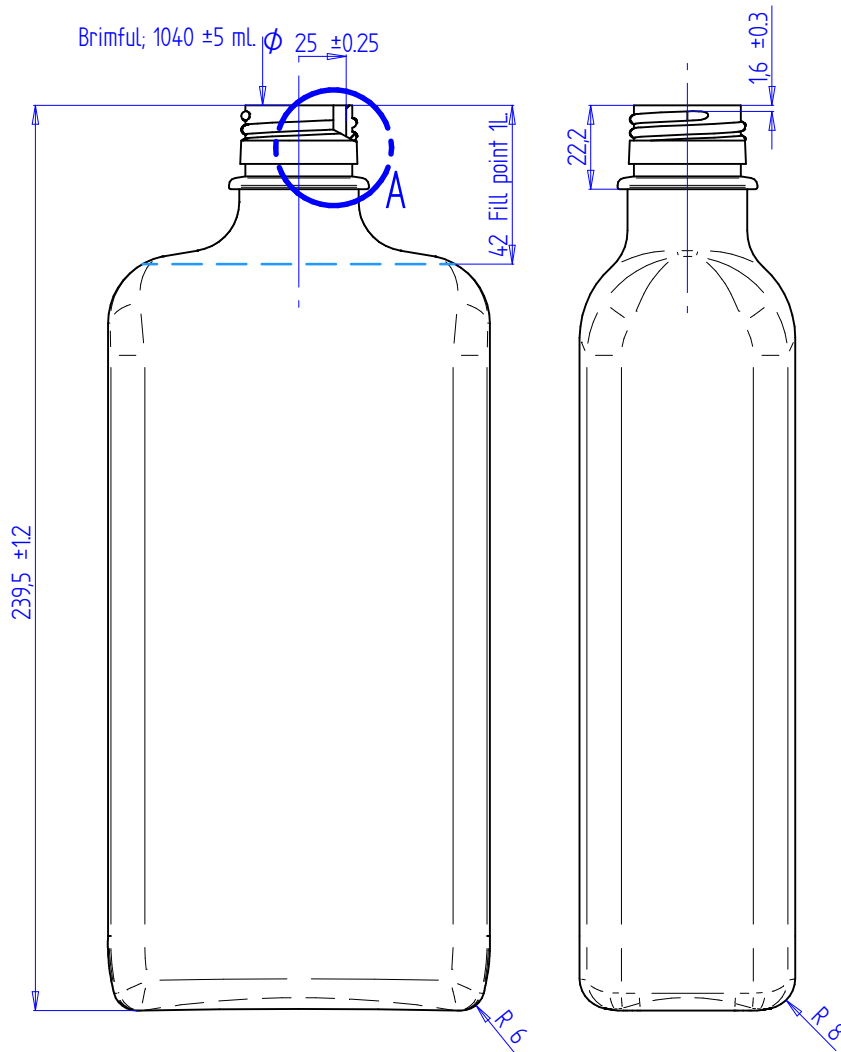




PILFERPROOF 31.5 STD



	Name	Date	Subject	
Designed	ELENA ALBERO	03/02/2015		
Nº Review	Nº2	31/03/2017	Update Measures	
Approved	JOSE A. GONZALEZ	31/03/2017		
Scale:		A 4	Title:	<b>Bottle 1L. PP 31.5 PET</b>
1:2		Sheet 1 of 1	Ref. Plane:	<b>1500300</b>
	Material :	PET		
General Tolerance $\pm 0,2$ mm		Weight: 72 $\pm 2$ gr.		